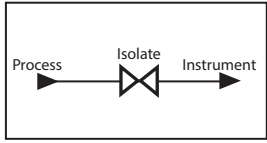


MODEL - D1



SINGLE BLOCK FORGED (Right Angled) HAND VALVE 1000 bar (15000 psi)

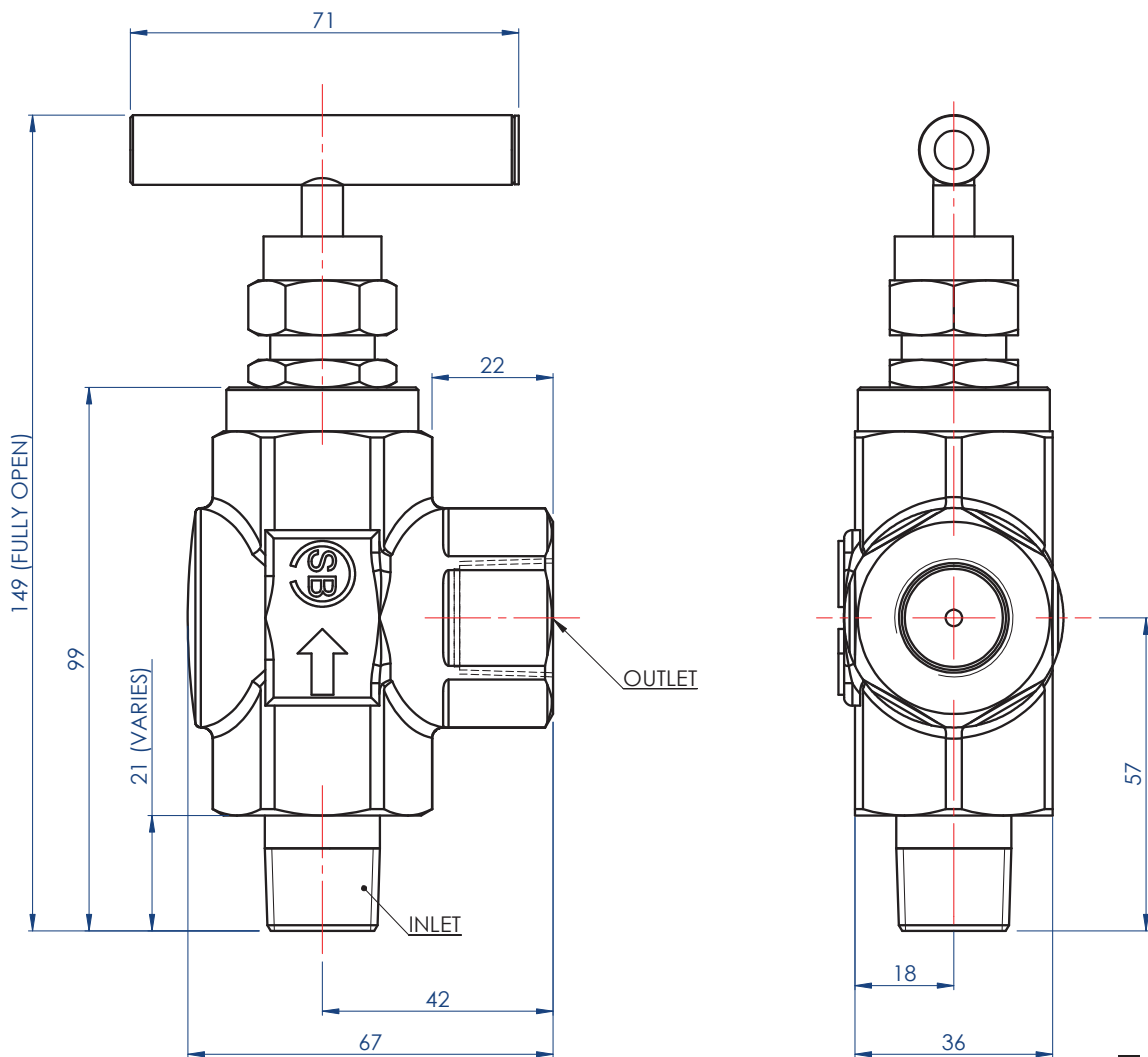


APPLICATION

High Integrity instrument isolation of pressure gauges and pressure transmitters.
Only available in 316SS or Carbon Steel (with Plated option).
(See HOW TO ORDER Data Sheet).



WEIGHT = 1.1 kg



STEWART-BUCHANAN GAUGES LTD

Sales Office & Manufacturing Facility - 7 Garrel Road, Burnside Industrial Estate, Kilsyth, Glasgow G65 9JX, SCOTLAND
Tel: +44 (0)1236 821533 | Fax: +44 (0)1236 824090 | E-mail: sales@stewarts-group.com | Web: stewarts-group.com

DATA SHEET REF: D1MF-REV01-14

