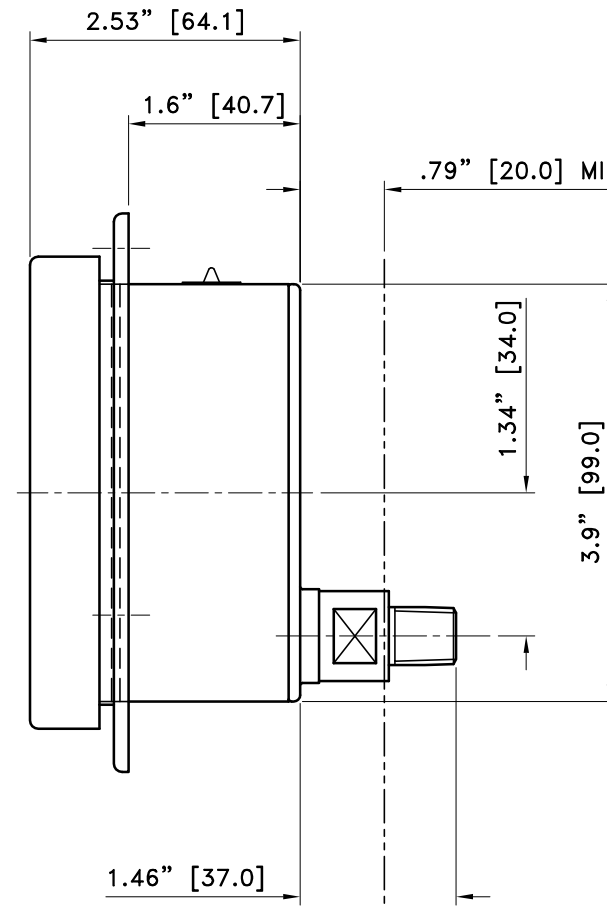
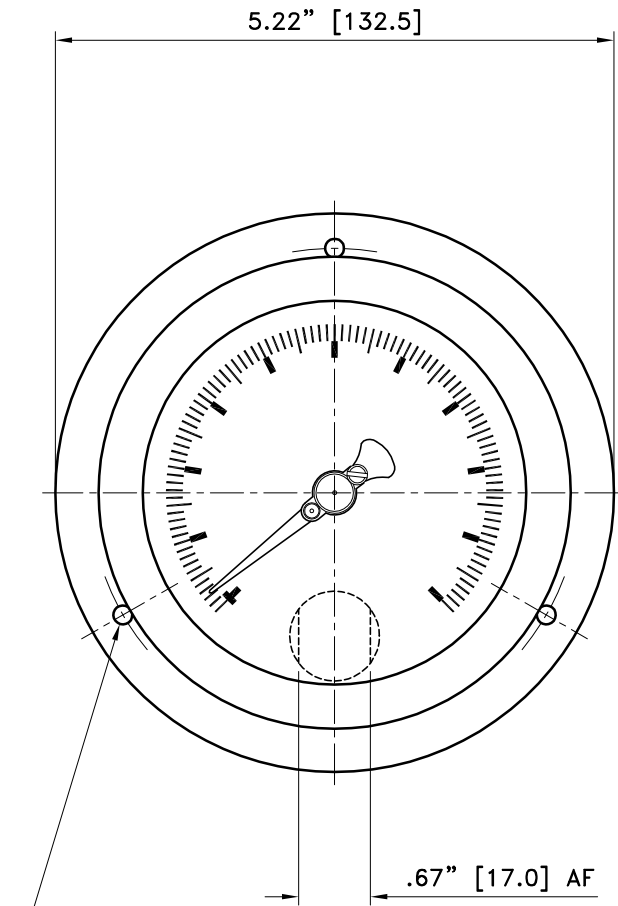


MODEL 40S-xxx-FP-S ; 4" FRONT FLANGE FOR PANEL MOUNTING

SOLID FRONT ST.ST GAUGE 1/4"NPT CONNECTION



.79" [20.0] MINIMUM FROM SURFACE

SOLID-FRONT BETWEEN BOURDON-TUBE AND DIAL.

BLOW-OUT BACKPLATE.

LAMINATED SAFETY GLASS WINDOW.

WHITE ALUMINUM DIAL, BLACK FIGURES.

BLACK ALUMINUM ADJUSTABLE POINTER.

AISI 316 STAINLESS STEEL WETTED PARTS.

AISI 316 STAINLESS STEEL CASE.

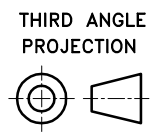
AISI 316 STAINLESS STEEL BAYONET RING.

PULSATION RESTRICTOR IN SOCKET.

ACCURACY ±0.5% OF FULL SCALE, UP TO 10,000 PSI PER ASME B40.1 GRADE 2A.

3 HOLES $\varnothing 0.236$ " [6] EQUI-SPACED ON 4.65" [118] P.C.D

© STEWARTS-USA 2005
 Stewarts-USA own this drawing and the Copyright of the same. It is conditionally loaned and by receiving it the recipient has agreed not to copy or reproduce in whole or part, not to supply information from it nor utilize it for any purpose that is not the subject of agreement in writing by Stewarts-USA. Upon request this drawing must be returned.



STEWARTS-USA
 6786 Tipperary
 HOUSTON, TX 77061 U.S.A
 Phone.713-643-1022
 Fax. 713-643-2855
 Toll Free. 1-800-901-1316



NEW ORLEANS
 (504) 737-3551 VOICE
 (504) 737-3558 FAX

18.03.05	MC	SR	AS BUILT	0
DATE	BY	AUTH	AMENDMENTS	REVISION
DRAWING No.			40S-xxx-FP-S	