

# MODELS- 975, 2050



## Any-Angle Stainless Steel Thermometer

An high technical specification and wide range of standard features make the Any Angle Thermometers an ideal designed for process, petrochemical and hygienic applications. Standard features include, fast, accurate and repeatable readings, fully adjustable display head, user calibration (External Zero Adjustment standard on 2050-Model), all stainless steel construction.

### STANDARD SPECIFICATION

Any-Angle Stainless Steel Thermometer  
(Weatherproof Construction to IP66)

#### Temperature element

- (a) Bi-Metal System 2050
- (b) Inert Gas System 975

#### Case

316 Stainless Steel Weatherproof Construction

#### Bezel

316 Stainless Steel

#### Dial

White Anodised Aluminium (Black Printing)

#### Pointer

Aluminium Black Finish  
Standard on 975  
Slot Adjustable on 2050

#### Stem

Stainless Steel  
Bi-Metal - Dia 6,8,10,12mm  
(1000 mm Max Stem Length)  
Gas Filled - Dia 6,8,10,12, or 12.7mm  
(Lengths See Chart on Page Two)

#### Window

Sheet Glass

#### Standard Size

100, 125, 150 mm

#### Accuracy class

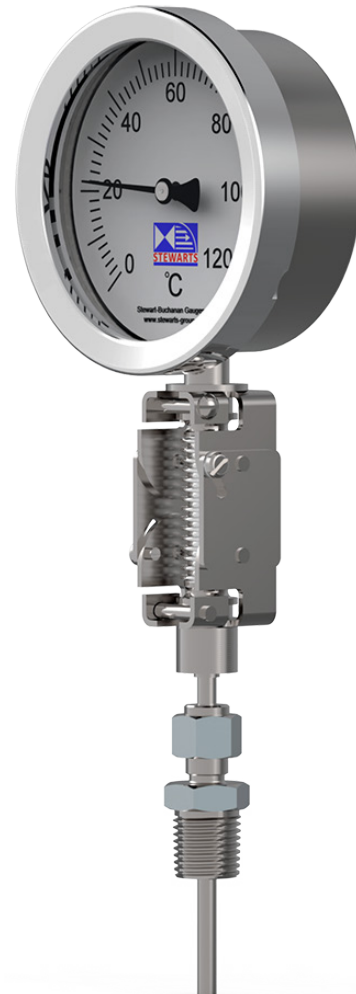
Bi-Metal  
Gas filled  
(See Charts on Page Two)

#### Scale Range

Bi-Metal - 50 up to 600 deg C.  
Gas Filled - 100 up to 650 deg C.  
(See standard scale range data sheet)

*Thermowells See separate data sheet for details.*

Model-975



**See Page-2 for Dimension,**

#### Optional Extras

- Pointer: Aluminium Black Finish Slot Adjustable on Model-975
- Window: laminated Safety Glass / Perspex.
- Thermowells: to user specification.
- Additional Variations: On request

Ordering Parameters, Please state the following: SIZE, MODEL NO, SCALE RANGE, CONNECTION, & OPTIONAL EXTRAS

# MODELS- 975, 2050

## Any-Angle Stainless Steel Thermometer



### Stem Minimum Lengths Gas filled

Stem Dia $\phi$ mm	Min Length Under Comp Fitting mm
6	293
8	196
10	85
12	65
12.7	65

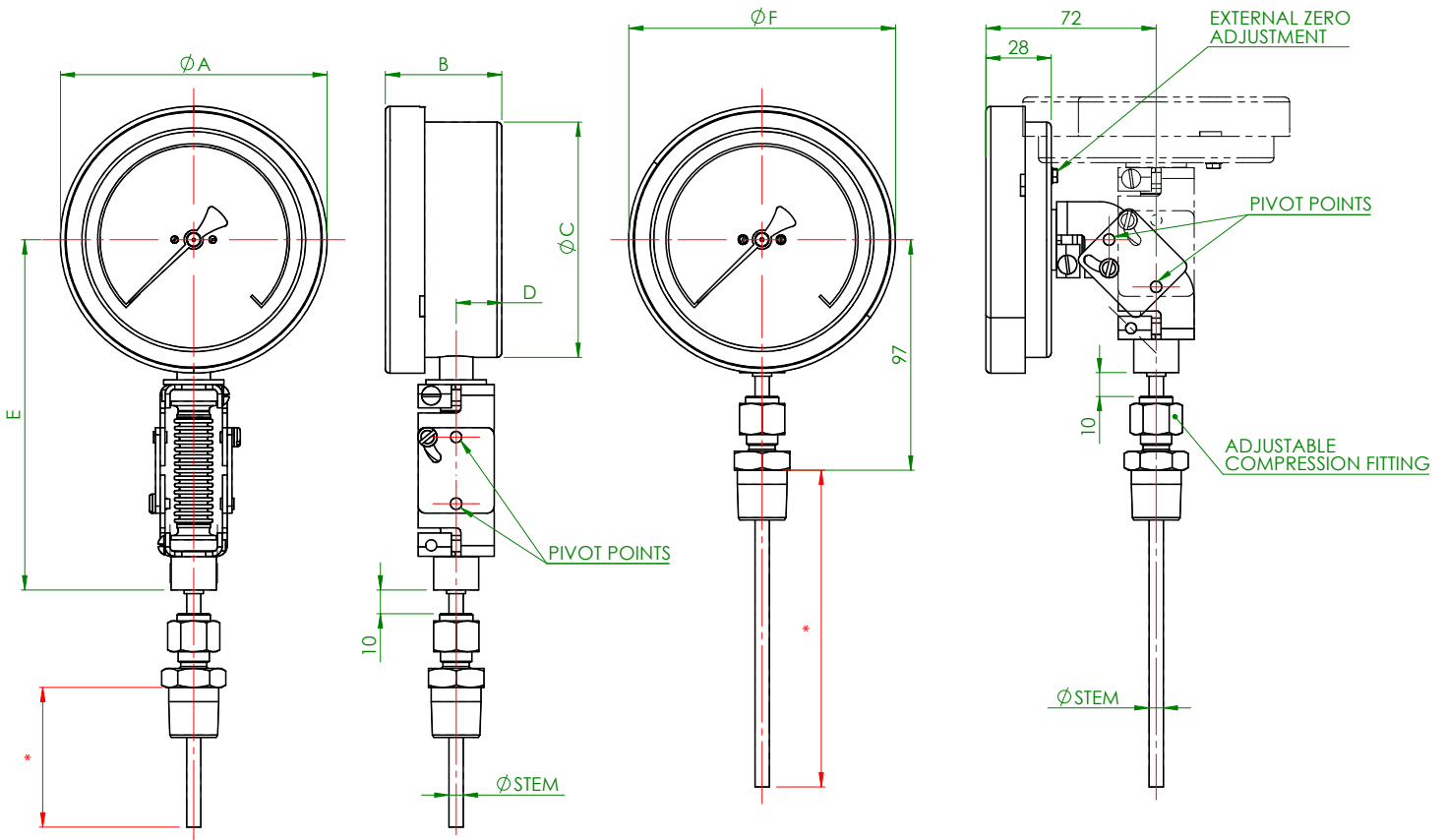
### Accuracy Class Bi-Metal

Range °C	Accuracy	Range °C	Accuracy
-20 to 60	+/-2%	-50 to 100	+/-2%
0 to 60	+/-2%	0 to 200	+/-2%
0 to 80	+/-2%	0 to 250	+/-2%
0 to 100	+/-2%	0 to 300	+/-2.5%
0 to 120	+/-2%	0 to 400	+/-3%
0 to 160	+/-2%	0 to 500	+/-3.5%

Optional  $\pm 1\%$  up to 250°C

### Accuracy Class Gas Filled

Nominal range °C	Measuring range °C	Limits of error °C	
		Class 1	Class 2
-20 to 40	-10 to 30	1	2
-20 to 60	-10 to 50	1	2
-20 to 120	-10 to 110	2	4
-30 to 30	-20 to 20	1	2
-30 to 50	-20 to 40	1	2
-30 to 70	-20 to 60	1	2
-40 to 40	-30 to 30	1	2
-40 to 60	-30 to 50	1	2
-100 to 60	-80 to 40	2	4
0 to 60	10 to 50	1	2
0 to 80	10 to 70	1	2
0 to 100	10 to 90	1	2
0 to 120	10 to 110	2	4
0 to 160	20 to 140	2	4
0 to 200	20 to 180	2	4
0 to 250	30 to 220	2.5	5
0 to 300	30 to 270	5	10
0 to 400	50 to 350	5	10
0 to 500	50 to 220	5	10
0 to 600	100 to 500	10	15
0 to 700	100 to 600	10	15
50 to 650	150 to 550	10	15
100 to 700	200 to 600	10	15



MODEL - 975  
Gas Filled System

\*As specified by customer

MODEL - 2050  
Bi-Metal System

General Arrangement Dimensions in mm, Tolerance $\pm 1$ mm						
Dim $\phi$ mm	A	B	C	D	E	F
100 (4")	112	48.5	99	19	150	112
125 (5")	128.5	48.5	114.5	19	159	128.5
150 (6")	162	48.5	148	19	175	172

## STEWART-BUCHANAN GAUGES LTD

Sales Office & Manufacturing Facility - 7 Garrell Road, Burnside Industrial Estate, Kilsyth, Glasgow G65 9JX, SCOTLAND  
Tel: +44 (0)1236 821533 | Fax: +44 (0)1236 824090 | E-mail: sales@stewarts-group.com | Web: stewarts-group.com

DATA SHEET REF: AnyAngleTherm-REV01-16

