

**Models-1232, 1233.**  
Filled System  
Phenolic Case & Stainless Steel Internals

**Case**

Moulded Fiberglass / Phenolic  
Full Safety Pattern Construction.  
Threaded Fiberglass / Polycarbonate Window Ring.  
Elastometer with Integral O' Ring Seal  
Compensation Diaphragm.  
Hinged, Polopropylene with Reinforced Fiberglass Blow-Out Back.

**Socket + Element**

AISI 316 Stainless Steel Stem / Socket.  
AISI 316 Stainless Bourdon Tube  
(C Form 800 PSI and Below) (Spiral 1000 PSI and Above)

**Thread**

1/4", 3/8", 1/2" NPT, BSP, BSPT, (Or flanged)

**Movement**

Stainless Steel

**Dial**

White Aluminium (Black Printing)

**Pointer**

Black Aluminium.

**Window**

Polycarbonate Window.

**Standard Size**

4 1/2 inch (114 mm).

**Accuracy class**

+/-1.5%.

**Scale Range**

Vacuum to 600 bar.

**Ordering information**

State:- Pressure gauge model.  
/ Nominal size / Scale range.  
/ Size and location of connection.  
/ Optional extras reqd.

**Optional extras**

Accuracy class +/-1%  
White plastic dial (Black Printing).  
Micro adjustable pointer / Black Finish.  
Monel to Nace MR-01-75 wetted parts.  
Laminated safety glass.  
Customer logo.  
Liquid filling.  
Vibragauge®  
Snubbagauge®

**Further options: on request**

We manufacture a wide range of instruments to customer's special requirements  
We shall be pleased to discuss and advise on your specifications.

Specifications and dimensions given in this leaflet represent the state of engineering at the time of printing.  
Engineering modifications may take place without prior notice.

**STEWART-BUCHANAN GAUGES LTD**  
Sales Office & Manufacturing Facility.  
Burnside Industrial Estate, Kilsyth, Glasgow, G65 9JX, SCOTLAND  
Tel:- +44 (0)1236 821533  
Fax:- +44 (0)1236 824090  
E-Mail:- sales@stewarts-group.com  
Web Site:- www.stewarts-group.com

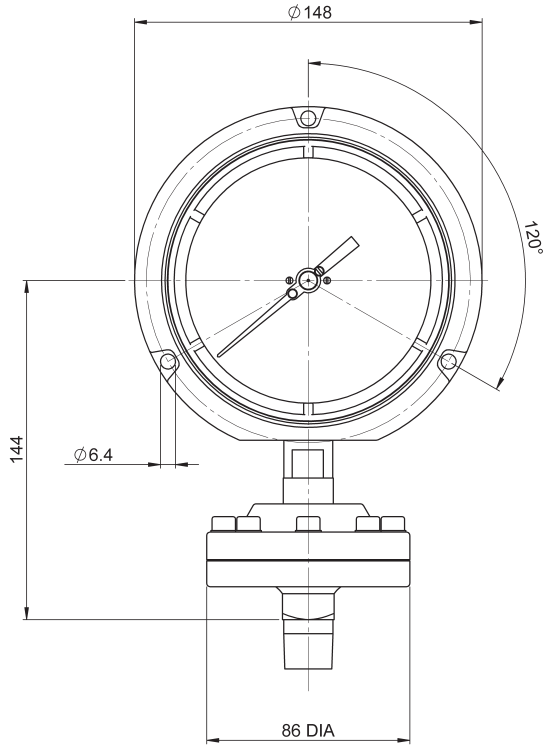


Model - 1232

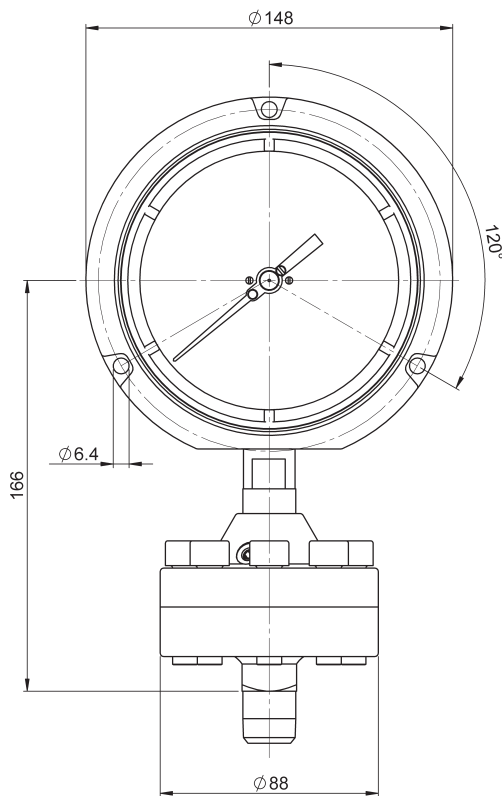
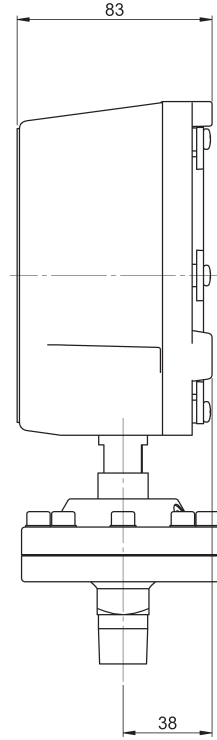
Application	Fill Fluids & Temperature Ranges	
Vacuum	Silicone D.C 704	0 to 250 deg C
Standard	Silicone 200 / 100	-40 to 200 deg C
Low Temp	Flourinert F.C.77	-100 to 50 deg C
High Temp	Silicone D.C 550	-40 to 315 deg C
Oxygen	Galden D05	-20 to 140 deg C
<b>Food Ind</b>		
FDA	Neobee M20	-15 to 150 deg C
	Medicinal Paraffin	0 to 100 deg C
	Vegetable (Rape Seed) Oil	0 to 100 deg C
Vacuum	Pure Glycerine	0 to 120 deg C
Other fill fluids available		

Note:- Cooling syphon recommended between diaphragm chamber and gauge for process temperatures above 60 deg C.

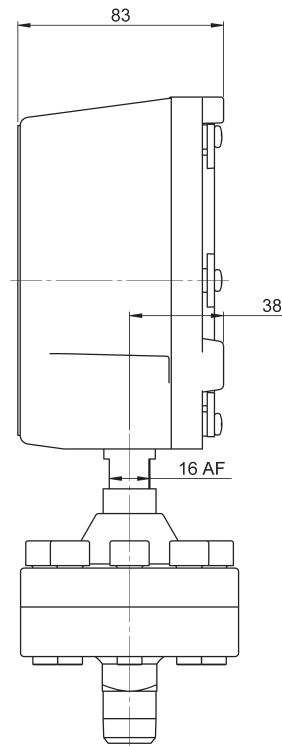
**Models-1232, 1233.**  
Filled System  
Phenolic Case & Stainless Steel Internals



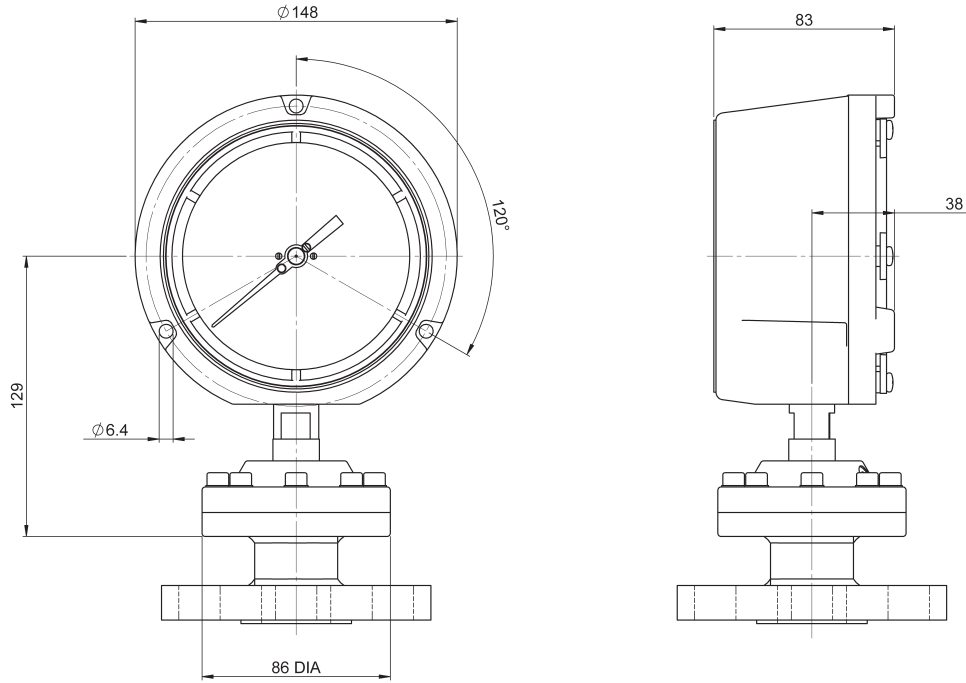
Model-1232



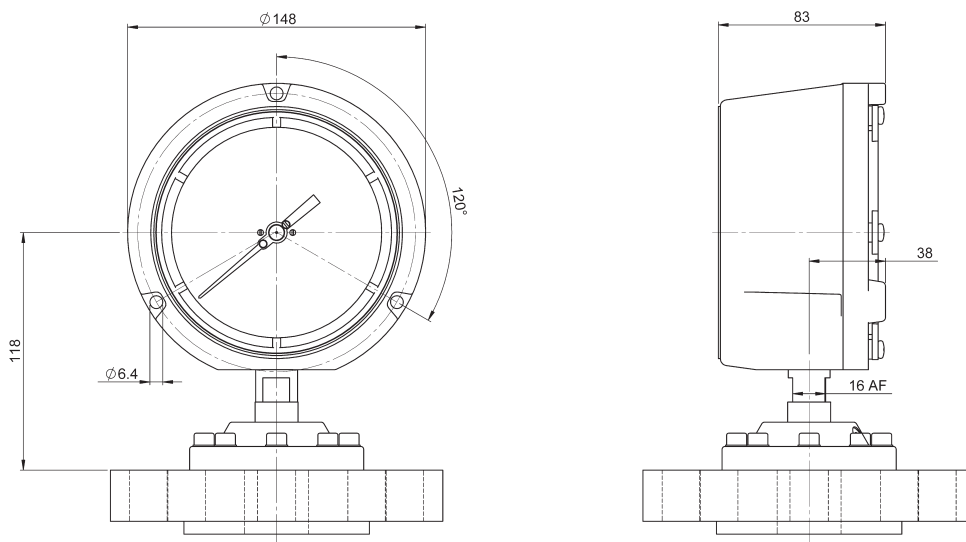
Model-1232 HP



**Models-1232, 1233.**  
Filled System  
Phenolic Case & Stainless Steel Internals



Model-1233  
Flange mounted



Model-1233  
Flange sizes (2inch) 50mm x 150lb & above