

## Model-1221. Phenolic Case & Stainless Steel Internals

### *Case*

Moulded Fiberglass / Phenolic  
Full Safety Pattern Construction.  
Threaded Fiberglass / Polycarbonate Window Ring.  
Elastometer with Integral O' Ring Seal  
Compensation Diaphragm.  
Hinged, Polopropylene with Reinforced Fiberglass Blow-Out Back.

### *Socket + Element*

AISI 316 Stainless Steel Stem / Socket.  
AISI 316 Stainless Bourdon Tube  
(C Form 800 PSI and Below) (Spiral 1000 PSI and Above)

### *Thread*

1/4", 3/8", 1/2" NPT, BSP, BSPT

### *Movement*

Stainless Steel

### *Dial*

White Aluminium (Black Printing)

### *Pointer*

Black Aluminium.

### *Window*

Polycarbonate Window.

### *Standard Size*

4 1/2 inch (114 mm).

### *Accuracy class*

+/-1%.

### *Scale Range*

Vacuum to 600 bar.

### *Ordering Information*

State:- Pressure gauge model.  
/ Nominal size / Scale range.  
/ Size and location of connection.  
/ Optional extras reqd.

### *Optional extras*

Accuracy class +/-0.5%  
White plastic dial (Black Printing).  
Micro adjustable pointer / Black Finish.  
Monel to Nace MR-01-75 wetted parts.  
Laminated safety glass.  
Customer logo.  
Liquid filling.  
Vibragauge®  
Snubbagauge®

### **Further options: on request**

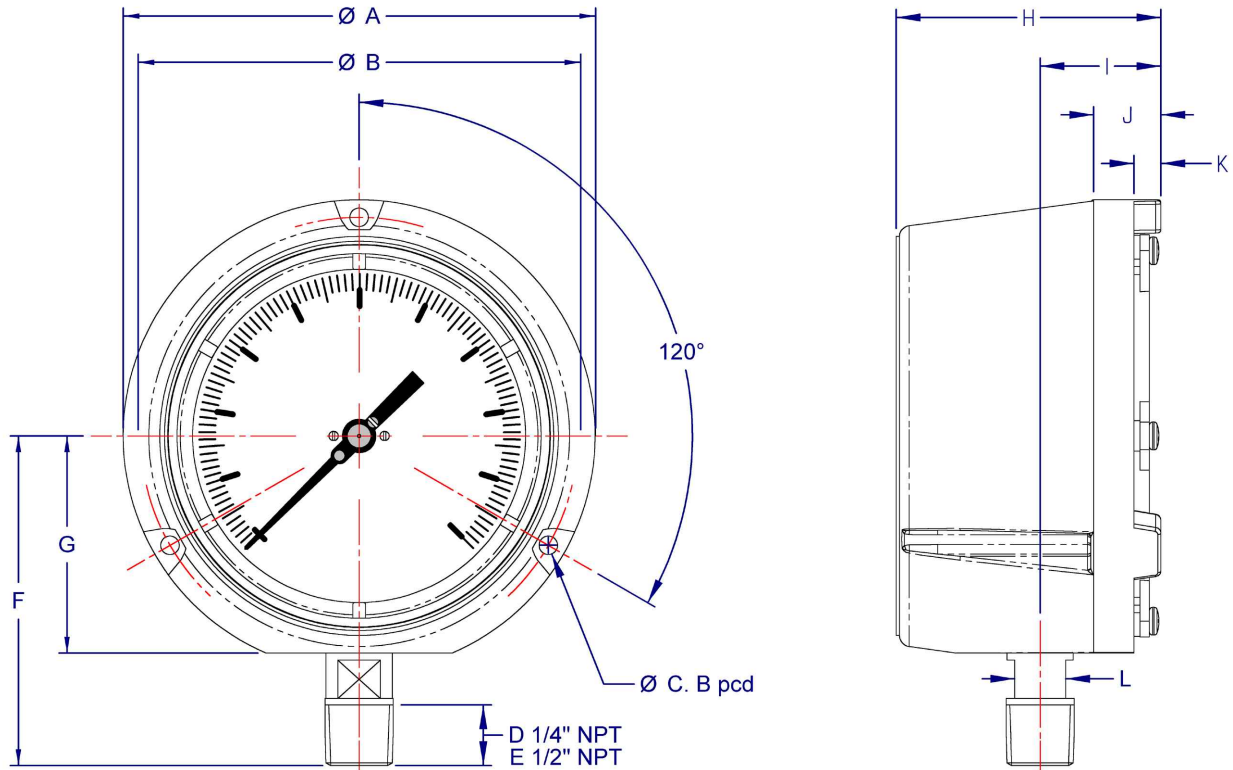
We manufacture a wide range of instruments to customer's special requirements  
We shall be pleased to discuss and advise on your specifications.

Specifications and dimensions given in this leaflet represent the state of engineering at the time of printing.  
Engineering modifications may take place without prior notice.



Model - 1221

## Model-1221. Phenolic Case & Stainless Steel Internals



Model-1221

Dims	A	B	C	D	E	F	G	H	I	J	K	L
Dia	148	137	6.5	16	21	103.25	68	83	38	21	8.5	16
mm												
4.1/2 inch	5.83	5.4	0.25	0.63	0.83	4.06	2.68	3.27	1.5	0.83	0.33	0.63