

Model-634

Pump Control Panel

The pump control panel normally incorporates the following gauges:

Pump Low Pressure Gauge Model 634

100mm (4") gauge, flush mount clamp fix rear connection
Up to ½" BSP male connection thread
AISI 316 Stainless Steel case & Internals
IP65 Ingress Protection rating
Complete with blow out device & Laminated safety glass window
Pressure range 0-30 bar (Other ranges available on request)

Pump High Pressure Gauge Model 634

100mm (4") gauge, flush mount clamp fix rear connection
Up to ½" BSP male connection thread
AISI 316 Stainless Steel case & Internals
IP65 Ingress Protection rating
Complete with blow out device & Laminated safety glass window
Pressure range 0-60 bar (Other ranges available on request)

Pump Compound Gauge Model 634

100mm (4") gauge, flush mount clamp fix rear connection
Up to ½" BSP male connection thread
AISI 316 Stainless Steel case & Internals
IP65 Ingress Protection rating
Complete with blow out device & Laminated safety glass window
Magnified vacuum scale with zero at 12 o'clock
Pressure range -1/+14 bar

All gauges are of high quality and with optional extras designed to minimise fluctuation.

Optional extras

- Nitelitegauge®.
- Vibragauge®.
- Snubbagauge®.
- Glycerine Filled.
- Coloured segments on dial.
- Special threads.
- Micro adjustable pointer.
- Narrow front flange (For closely mounted gauges).



Models-631, 632, 633, 634

600 series gauges are suitable for corrosive environments in chemical, petro-chemical, refining, power, marine and food and pharmaceutical processing applications.

SPECIFICATIONS

Case

AISI 304 Stainless Steel
 Bezel Stainless Steel (Bayonet type)
 Weatherproof Construction to IP65 Ingress Protection rating

Socket + Element

AISI 316 Stainless Steel

Pressure Connection Thread

1/8", 1/4", 3/8", 1/2" NPT, BSP, BSPT

Blowout Protection

Top Mounted Rubber Disk

Movement

Stainless Steel

Dial

White Aluminium (Black Printing)

Pointer

Black Aluminium

Window

Sheet Glass

Standard Size

63, 100, 150mm (2.1/2", 4", 6")

Accuracy class

63mm ±1.6% of span, 100 & 150mm ± 1% of span

Scale Range

Vacuum to 1,400 bar (20,000 psi) (63mm gauge)
 Vacuum to 2,500 bar (36,000 psi) (100 & 150mm gauges)

Ordering information

State:- Pressure gauge model
 / Nominal size / Scale range
 / Size and location of connection / Optional extras reqd.

Optional extras

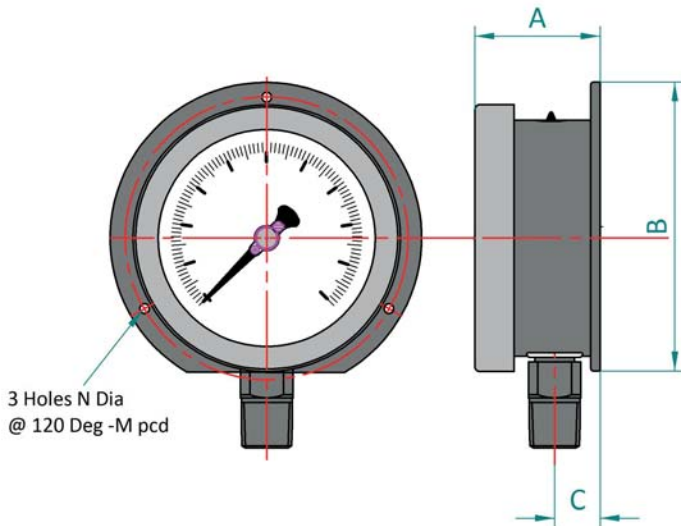
- AISI 316 Stainless steel case.
 - White plastic dial (Black Printing).
 - Micro adjustable pointer / Black Finish.
 - Monel to Nace MR-01-75 wetted parts.
 - Other pressure connections (including high pressure).
 - Laminated safety glass / Perspex window.
 - Customer logo.
 - Liquid filling.
 - Vibragauge®.
 - Snubbagauge®.
- Further options: on request



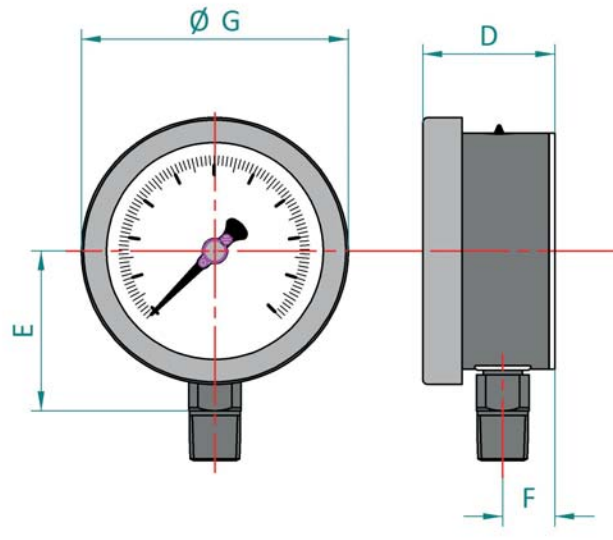
Model 632

Models-631, 632, 633, 634

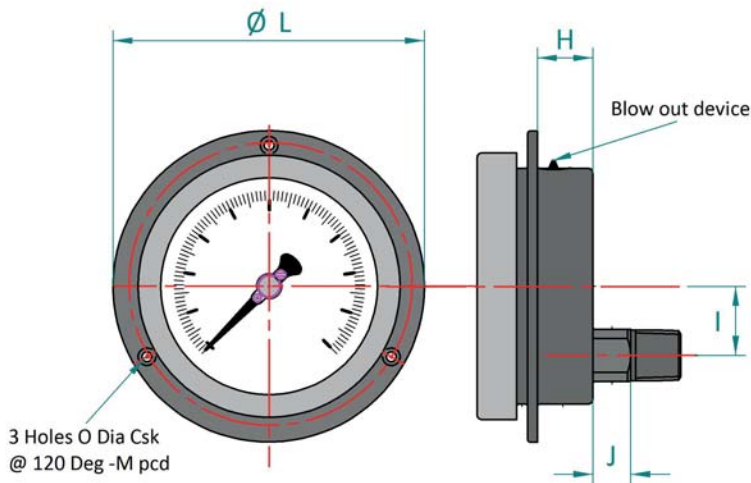
Surface Mounted
Model - 631



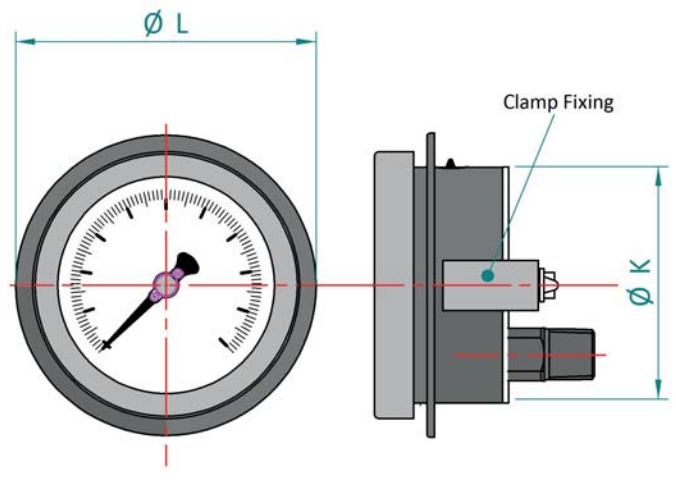
Direct Mounted (Standard)
Model - 632



Flush Mounted Screw Fixing
Model - 633



Flush Mounted Clamp Fixing
Model - 634



Dim mm																
Diameter	A	B	C	D	E	F	G	H	I	J	K	L	M	N	O	Panel Cutout
2.5" (63mm)	39	78.5	12.5	31	42	9.5	68.5	21.5	18	10	62	85	75	3.5	3.8	66
4" (100mm)	50.5	121	17	48.5	67	15	112	24.5	32	18	99	132	118	6	6	106
6" (150mm)	50.5	174	17	48.5	93	15	162	24.5	32	18	148	185	168	5.8	5.8	153