

MODELS-300 2½" & 4"



All stainless steel construction Utility Pressure Gauges

STANDARD SPECIFICATION

Stainless Steel Gauge with Blow-out Device (Weatherproof Construction to IP65)

Sizes
63, 100

Case/ Bezel
316 Stainless Steel (Crimped on Bezel)

Wetted Parts
316 Stainless Steel

Blowout Protection
Blow-out plug at the top of the case

Dial
White Anodised Aluminium (Black Printing)

Pointer
Black Aluminium

Window
Polycarbonate

Traceability
All instruments are individually calibrated and have an unique Serial Number.

Certification available on request

- Certificate of Conformity Traceable to National Standards
- Group Certification (Pressure Test Calibration Statement)
- Point to Point Test Certificate
- BS EN 10204 3.1 Material Certification

Safety

All units are manufactured to comply with EN 837-1, S1 Blowout device specification and other regulatory standards including PED 2014/68/EU.

Installation instructions

Refer to EN 837-2 and our [Guidance On Use of Equipment](#) data sheet.

Accuracy class

Standard +/- 2%
Available with +/- 1% on request

Scale Range

Vacuum / Compound to -1 to 20 bar (290 psi)
Pressure 0-1 bar (15 psi) up to 690 bar (10000 psi)

Pressure Connection Thread

½", ¼", ½" NPT, BSP, BSPT



Model-302/CB Direct Mounting (Centre Back)

Model-301 Surface Mounted (Bottom Connection)
Model-302 Direct Mounted (Standard)
Model-302/CB Direct Mounted (Centre Back)
Model-302/LB Direct Mounted (Lower Back 63mm only)
Model-303 Flush Mounted Screw Fixing (Lower back on 63, Centre back on 100)
Model-304 Flush Mounted Clamp Fixing (Lower back on 63, Centre back on 100)
[See Page-2 for dimension](#)

Option

Liquid Filled Case

Operating Temperature Range EN837

-20° to 60°C (-4°F to 140°F)

[Options for lower/higher operating ranges \(Contact Sales\)](#)

Temperature Error

Additional error when temperature changes from reference
Temperature of 20°C (68°F) ±0.4% for every 10°C (18°F) rising or Falling % of span

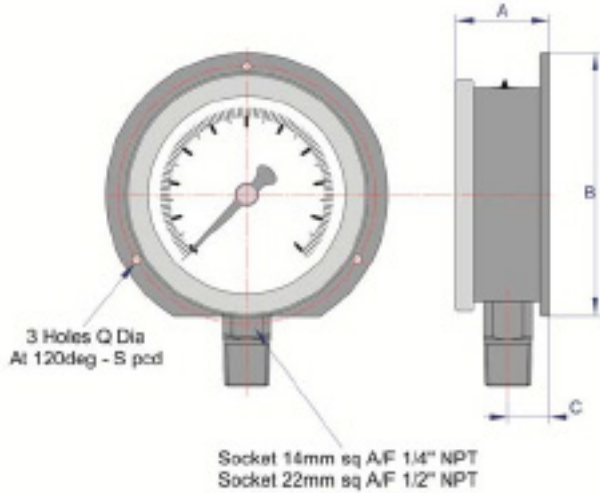
Ordering Parameters, Please state the following: SIZE, MODEL NO, SCALE RANGE, CONNECTION, PRESSURE MEDIUM & OPTIONAL EXTRAS

MODELS-300 2½" & 4"

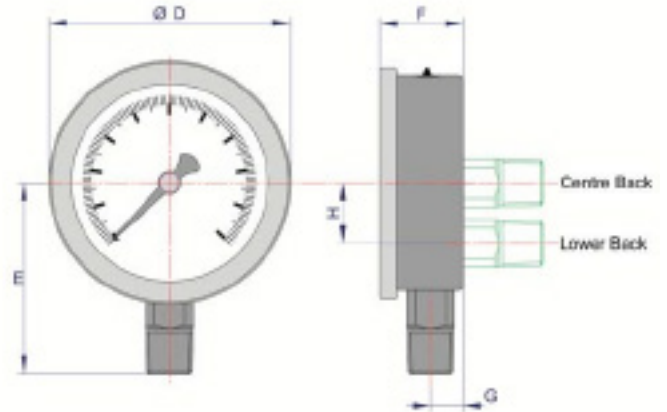
All stainless steel construction Utility Pressure Gauges



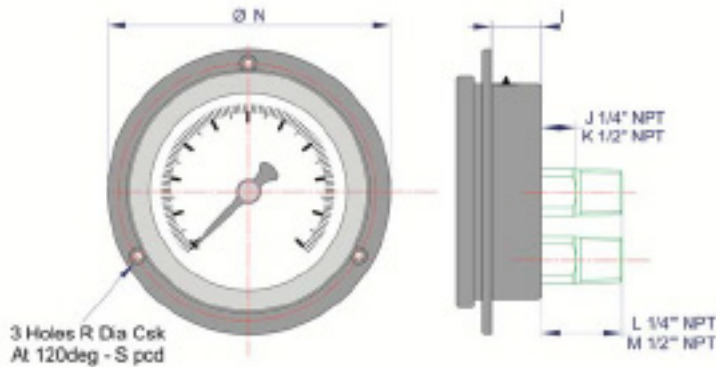
Model-301 Surface Mounted



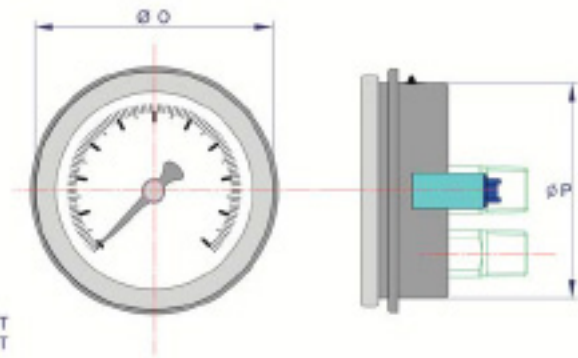
Model-302 Direct Mounted



Model-303 Flush Mounted Screw Fixing



Model-304 Flush Mounted Clamp Fixing



mm inch	A Dim	B	C	D	E	F	G	H	I	J	K	L	M	N	O	P	Q	R	S	Cut Out
63 2.5				67.3 2.65	56 2.20	30.5 1.20	10.6 0.42	18 0.71	19.5 0.77					85.2 3.35	67 2.64	62 2.44	3.8 0.15	3.8 0.15	75 2.95	66 2.60
100 4				109 4.29	78.5 2.97	33.5 1.32	0.82 12.2	18 0.71	20.8 0.82					132.5 5.21	110 4.33	98.8 3.89	6 0.24	6 0.24	118 4.65	106 4.17

STEWART-BUCHANAN GAUGES LTD

Sales Office & Manufacturing Facility - 7 Garrel Road, Burnside Industrial Estate, Kilsyth, Glasgow G65 9JX, SCOTLAND
Tel: +44 (0)1236 821533 | Fax: +44 (0)1236 824090 | E-mail: sales@stewarts-group.com | Web: stewarts-group.com

