

Models-1081, 1082, 1083, 1084. Aluminium Case & Brass / Stainless Steel Internals

Case

Aluminium Stove Enamelled Finish.
Solid front between bourdon tube and dial.

Bezel

Brass with Lacquered Finish

Socket

Brass
Stainless Steel

Element Bourdon Tube

Acetylene Gauges must use Stainless Steel (wetted parts)
See Precautions note below.

Beryllium copper
Phosphor Bronze
Stainless Steel

Thread

1/8", 1/4", 3/8", 1/2" NPT, BSP, BSPT

Movement

Brass / Stainless Steel

Dial

White Aluminium (Black Printing)

Pointer

Black Aluminium

Window

Laminated Safety Glass

Standard Size

63, 100, 150mm

Accuracy class

1%

Scale Range

Vacuum to 1,000 bar (14,500 psi)

Ordering information

State:- Pressure gauge model
/Nominal size / Scale range
/ Size and location of connection / Optional extras reqd.

Precautions Relating to Gauges for use with Oxygen and Acetylene.

Gauges for use with Oxygen. Oxygen under pressure forms an explosive mixture with oil or grease, and a serious explosion may result if the two are brought together. Thin films and slight deposits of oil or grease are particularly susceptible to ignition. It is imperative that extreme care be exercised in the manufacture and testing of oxygen gauges and in the subsequent cleaning and handling of oxygen gauges and their connections, so that they are kept absolutely free from oil and grease. When gauges are tested, oil must not be allowed to touch or enter the gauge.

They should be tested only with oil - free water or dry clean air or other suitable media on testing equipment used for that purpose alone and no other gauges should be tested on this equipment owing to the risk of oil contamination. (NOTE: Factory air supplies are rarely, if ever, free from oil contamination.)

It is essential that all gauges for use with oxygen should be of the Safety type. It is essential that all gauges for use with oxygen shall have plainly inscribed on the dial in black letters, the word **OXYGEN** and in red the warning symbol for "**USE NO OIL**".

Gauges for use with Acetylene. Acetylene in conjunction with copper or silver may form an explosive compound and the use of high copper or silver content alloys for any part of the gauge that may come in contact with the gas should be avoided. Where possible, the bourdon tube and all other parts with which the gas may make contact should be constructed of steel. Where the use of steel is impracticable, a low copper content alloy should be used and the copper content should be less than 65%.

It is essential that all gauges for use with acetylene should be of the Safety Type. It is essential that all gauges for use with acetylene shall have plainly inscribed on the dial in red letters **ACETYLENE**.

We manufacture a wide range of instruments to customer's special requirements
We shall be pleased to discuss and advise on your specifications.

Specifications and dimensions given in this leaflet represent the state of engineering at the time of printing.
Engineering modifications may take place without prior notice.

STEWART-BUCHANAN GAUGES LTD
Sales Office & Manufacturing Facility.
Burnside Industrial Estate, Kilsyth, Glasgow, G65 9JX, SCOTLAND
Tel:- +44 (0)1236 821533
Fax:- +44 (0)1236 824090
E-Mail:- sales@stewarts-group.com
Web Site:- www.stewarts-group.com



Model - 1082

Optional extras

200 & 250mm dia gauges.
White plastic dial (Black Printing).
Micro adjustable pointer / Black Finish.
Other pressure connections.
Monel to Nace MR-01-75,
Perspex window.
Customer logo.
Vibrageauge®
Snubbageauge®
Further options: on request

Models-1081, 1082, 1083, 1084.
Aluminium Case & Brass / Stainless Steel Internals

Surface Mounted
Model - 1081

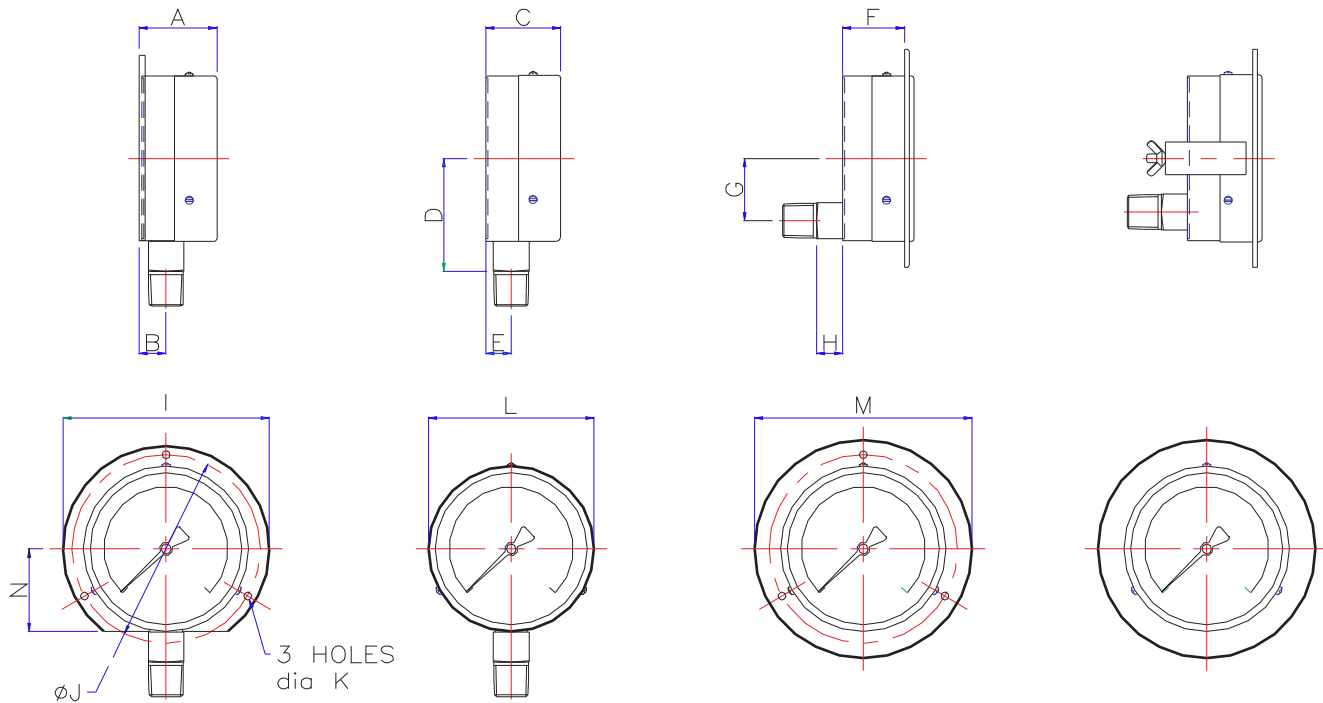
Direct Mounted
(Standard)
Model - 1082

Flush Mounted
Screw Fixing
Model - 1083

Flush Mounted
Clamp Fixing
Model - 1084

Bottom connect

Rear connect



Dimensions Diameter	A	B	C	D	E	F	G	H	I	J	K	L	M	N	Panel Cut-out
63	35	11	35	38.5	11	29	21	6	86	75	3.6	65	90	32	70
100	49	18	45	70	17.5	49	32	13	130	118	6	103	135	51	106
150	53	17.5	50	92	18	50	32	13	183	168	6	153	185	75.5	155

Gas and Steam in excess of 25 Bar pressure can represent danger if there is a rupture in the Bourdon Tube measuring this gas. To minimize the danger, gauges in this application should be Safety Pattern type, having solid front between Bourdon tube and dial, safety window and blow-out back to allow any blast to release to the rear of gauge. Although there is not necessarily any great risk in the use of gauges for gases at pressure less than 25 Bar, a blow-out disc should be incorporated and the purchaser should have regard to the nature of the gas and the installation conditions and, if necessary, order a gauge of the Safety Pattern type. Surface mounted gauges should be fitted with distance pieces of not less than 3/4" (20mm) long to allow them to be mounted away from wall or panel.