

## Models-1041/S, 1042/S, 1043/S, 1044/S. Stainless Steel Case & Stainless Steel Internals

### Case

AISI 304 Stainless Steel  
Bezel Stainless Steel (Bayonet type).  
Weatherproof Construction

### Socket + Element

AISI 316 Stainless Steel

### Thread

1/4", 3/8", 1/2" NPT, BSP, BSPT

### Movement

Stainless Steel

### Dial

White Aluminium (Black Printing)

### Pointer

Black Aluminium

### Window

Sheet Glass

### Standard Size

63, 100, 150mm

### Accuracy class

0.5% or 1% Full scale

### Scale Range

3 - 15 psi or 0.2 - 1 bar  
Dials can be marked with  
Logarithmic or linear scales

### Ordering information

State:- Pressure gauge model  
/ Nominal size / Scale range  
/ Size and location of connection  
/ Optional extras reqd.

### Optional extras

AISI 316 Stainless steel case.  
White plastic dial (Black Printing).  
Slot adjustable pointer / Black Finish.  
Monel to Nace MR-01-75 wetted parts.  
Laminated Safety Glass / Perspex.  
Customer logo.

**Additional Variations: on request.**

Standard construction available up to dial size 300mm.  
Details on request.



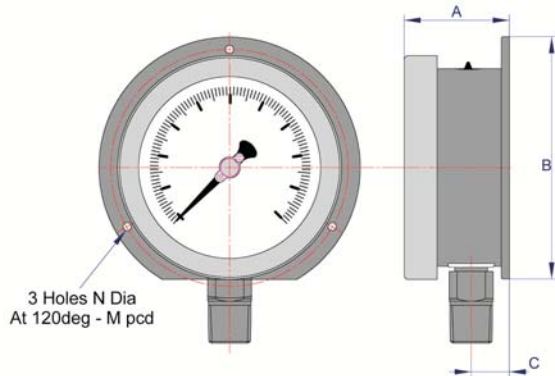
Model -1042 /S

We manufacture a wide range of instruments to customer's special requirements  
We shall be pleased to discuss and advise on your specifications.

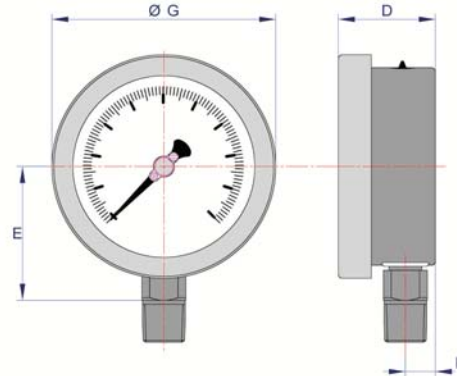
Specifications and dimensions given in this leaflet represent the state of engineering at the time of printing.  
Engineering modifications may take place without prior notice.

**Models-1041/S, 1042/S, 1043/S, 1044/S.**  
Stainless Steel Case & Stainless Steel Internals

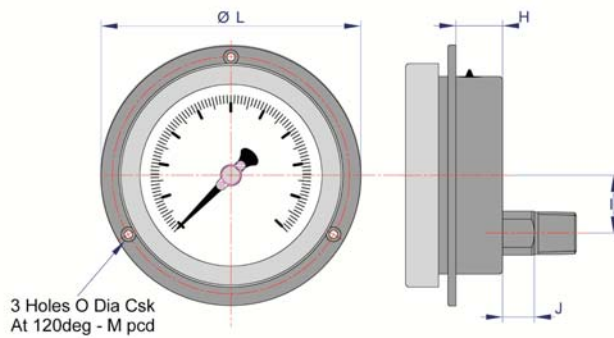
Surface Mounted  
Model - 1041/S



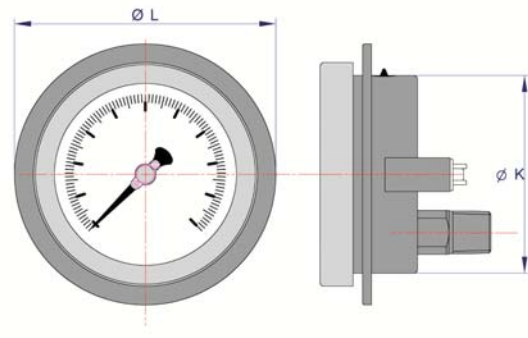
Direct Mounted (Standard)  
Model - 1042/S



Flush Mounted Screw Fixing  
Model - 1043/S



Flush Mounted Clamp Fixing  
Model - 1044/S



Dimensions Diameter	A	B	C	D	E	F	G	H	I	J	K	L	M	N	O	Panel Cut-out
63	39	78.5	12.5	31	42	9.5	68.5	21.5	18	10	62	85	75	3.5	3.8	66
100	50.5	121	17	48.5	67	15	112	24.5	32	18	99	132	118	6.0	6.0	106
150	50.5	174	17	48.5	93	15	162	24.5	32	18	148	185	168	5.8	5.8	153