

# MODELS- 2012 2013 Series



## Mechanical Diaphragm Seal Pressure Gauges

### APPLICATIONS

Diaphragm seal gauges commonly known as "Schaffer Diaphragm" gauges are designed and recommended to isolate the measuring system of a pressure gauge from corrosive, pasty or dangerous fluid depending on the viscosity, pressure, temperature, solidification of a particular process medium.

### STANDARD SPECIFICATION

Mechanical Diaphragm Seal Gauge (Weatherproof Construction to IP66)

#### Sizes

100 and 150 mm

#### Case/ Bezel

304 Stainless Steel (316 Stainless Steel can be supplied on request)

#### Socket & Bourdon Tube

316 Stainless Steel

#### Movement

Stainless Steel Construction

#### Blowout Protection

S1 Blow-out device

#### Dial

White Anodised Aluminium (Black Printing)

#### Pointer

Black Aluminium

#### Window

Sheet Glass

#### Traceability

All instruments are individually calibrated and have an unique Serial Number.

#### Certification available on request

- Certificate of Conformity Traceable to National Standards
- Group Certification (Pressure Test Calibration Statement)
- Point to Point Test Certificate
- BS EN 10204 3.1 Material Certification

#### Safety

All units are manufactured to comply with EN 837-1, S1 specification and other regulatory standards including PED 2014/68/EU.

#### Installation instructions

Refer to EN 837-2 and our [Guidance On Use of Equipment](#) data sheet.

#### Accuracy class

ACCURACY CLASS EN837-1	
	0 - 25 bar
100mm	1.6
150mm	1.6
Overpressured	1.25 FSD

Options: 1.5% on 100 & 150mm (Consult Sales)

#### Scale Range

Vacuum / Compound to -1 to 0 to -1 to 24 bar (Where applicable)

Standard 0 to 25 bar

Or other equivalent units of pressure or vacuum

#### Operating Temperature Range EN837

-20° to 60°C (-4°F to 140°F) without loss of accuracy.

#### Temperature Error

Additional error when temperature changes from reference

Temperature of 20°C (68°F) ±0.4% for every 10°C (18°F) rising or Falling % of span

Model-2012



See Page-2 for Dimension,

#### Optional Extras

- Micro adjustable pointer /Black finish
- Optional dial materials & Custom markings
- ISO 15156 / NACE MR-01-75 wetted parts
- Laminated safety glass / Perspex window
- Customer logo printed on dial
- Nitelitegage® (See data sheet)
- Fitted with electrical contacts (See data sheet)
- Gauge overpressure up to 130% of FSD

Further options on request

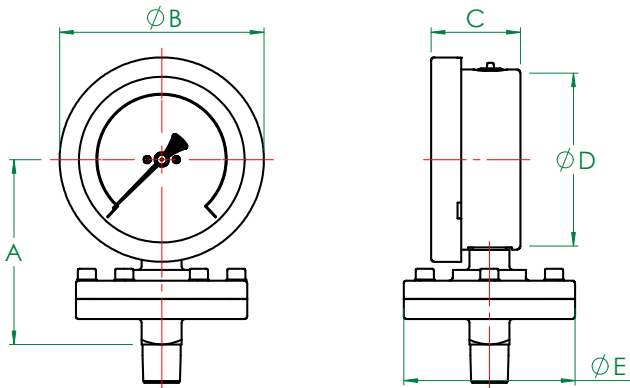
#### Available with a wide range of accessories

Syphons, Snubbers, Overrange gauge protectors, Swivel Adaptors, Valves, Manifolds etc ensures that STEWARTS can provide you with the right product to suit any individual application or requirement.

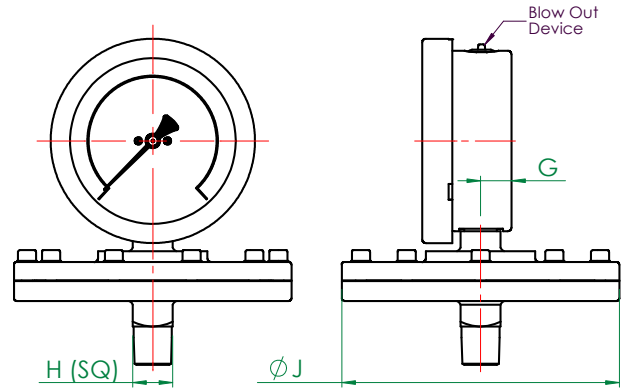
Ordering Parameters, Please state the following: SIZE, MODEL NO, SCALE RANGE, CONNECTION, PRESSURE MEDIUM & OPTIONAL EXTRAS

# MODELS- 2012 2013 Series

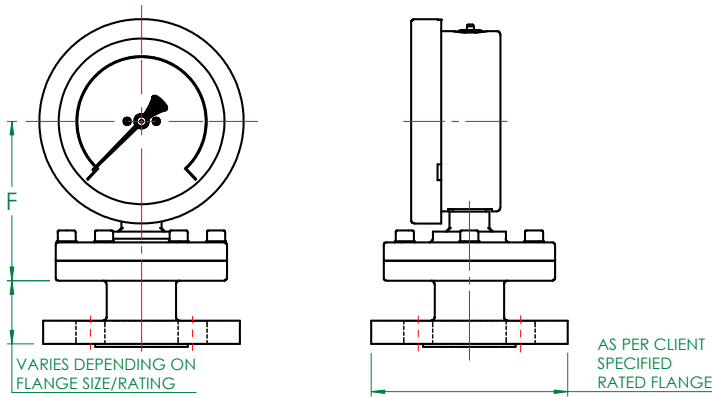
## Mechanical Diaphragm Seal Pressure Gauges



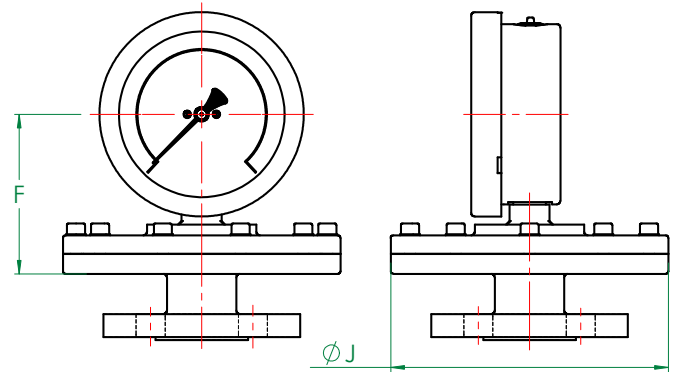
**MODEL - 2012**  
Threaded Connection  
RANGE - Vacuum to 25 bar



**MODEL - 2012**  
Threaded Connection  
RANGE - 40 - 400 mbar



**MODEL - 2013/F**  
Flanged Connection  
RANGE - Vacuum to 25 bar



**MODEL - 2013/F**  
Flanged Connection  
RANGE - 40 - 400 mbar

General Arrangement Dimensions in mm, tol' ± 1mm										
Dialø	Dim	A	B	C	D	E	F	G	H	J
4" (100mm)		102	112	48.5	99	94	87.5	17	22	152.4
6" (150mm)		127.1	161.7	48.5	148	94	113.2	15.2	22	152.4

### STEWART-BUCHANAN GAUGES LTD

Sales Office & Manufacturing Facility - 7 Garrell Road, Burnside Industrial Estate, Kilsyth, Glasgow G65 9JX, SCOTLAND  
Tel: +44 (0)1236 821533 | Fax: +44 (0)1236 824090 | E-mail: sales@stewarts-group.com | Web: stewarts-group.com

DATA SHEET REF: 201-REV01-17

