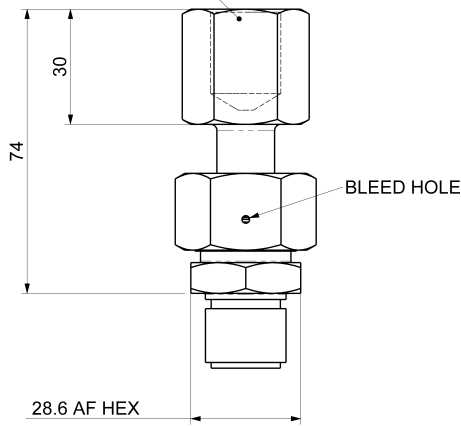
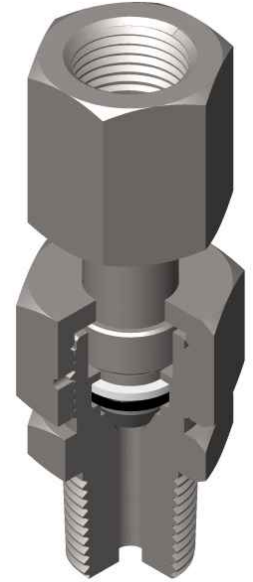
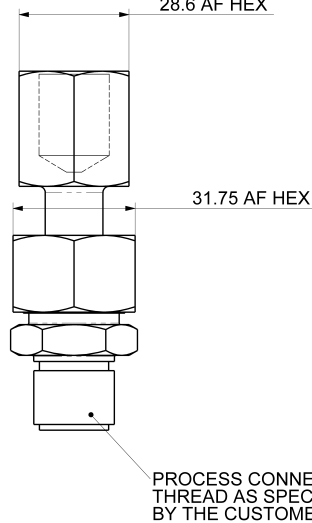


INSTRUMENT CONNECTION
THREAD AS SPECIFIED
BY THE CUSTOMER



28.6 AF HEX



Features

- Swivadapt Mark 2 version has fixed collar & secondary O ring seal.
- Swivadapt allows positioning of instrument throughout 360 deg and safe connection of dissimilar instrument and process threads.
- Metal to metal seal between instrument adaptor and process body. Suitable for high pressure/temperature applications.
- Maximum working pressure 700 bar (10000 psi) higher pressures available on request.
- Hydrostatically tested to 1.5 times maximum working pressure.
- Has trace code on body with material certificates available for all wetted parts on request.
- Available in a variety of materials, stainless steel, monel etc.
- Can be supplied to NACE MR-01-75 latest edition.
- Pressure joint can be made, broken and remade and still retain full pressure seal integrity.
- Bleed hole facility gives warning of incorrect mating of cone faces whilst mechanical integrity is still maintained.
- Process flow path has only two wetted parts and is crevice free.

How To Order

PART No SW-__M or F-__M or F-__-MK2

↑
Inlet
↑
Outlet
↑
Material

Inlet & Outlet Codes

03 = 1/4" NPT
05 = 3/8" NPT
07 = 1/2" NPT
09 = 3/4" NPT
11 = 1" NPT

Select M or F for Male / Female

04 = G1/4" (BSP)
06 = G3/8" (BSP)
08 = G1/2" (BSP)
10 = G3/4" (BSP)
12 = G1" (BSP)

13 = R1/4" (BSPT)
14 = R3/8" (BSPT)
15 = R1/2" (BSPT)
16 = R3/4" (BSPT)
17 = R1" (BSPT)

Material Code

AI = AISI 316 S/S (DIN 1.4401)
MO = MONEL
HA = HASTELLOY
IN = INCOLLOY 825

TI = TITANIUM
DU = DUPLEX UNS S31803
SD = SUPER DUPLEX UNS S32760