

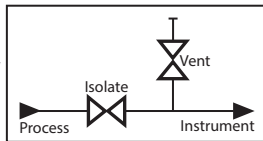
MODEL - K2



REMOTE MOUNT BLOCK AND BLEED (Angled Bonnet) TWO VALVE MANIFOLD 413 bar (6000 psi)

ISOLATE	Red
VENT	Yellow
EQUALIZE	Blue

Valve Colour Coding



APPLICATION

Using The 2-Valve Manifold

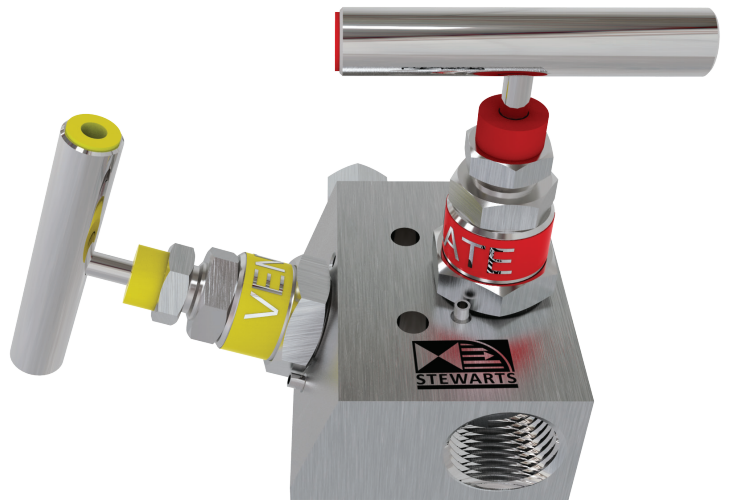
In normal operation the "isolate" valve is open while the "vent" valve is closed. To remove the instrument, first close the "isolate" valve, then open the "vent" valve to relieve pressure upstream of the "isolate" valve.

Calibration Options

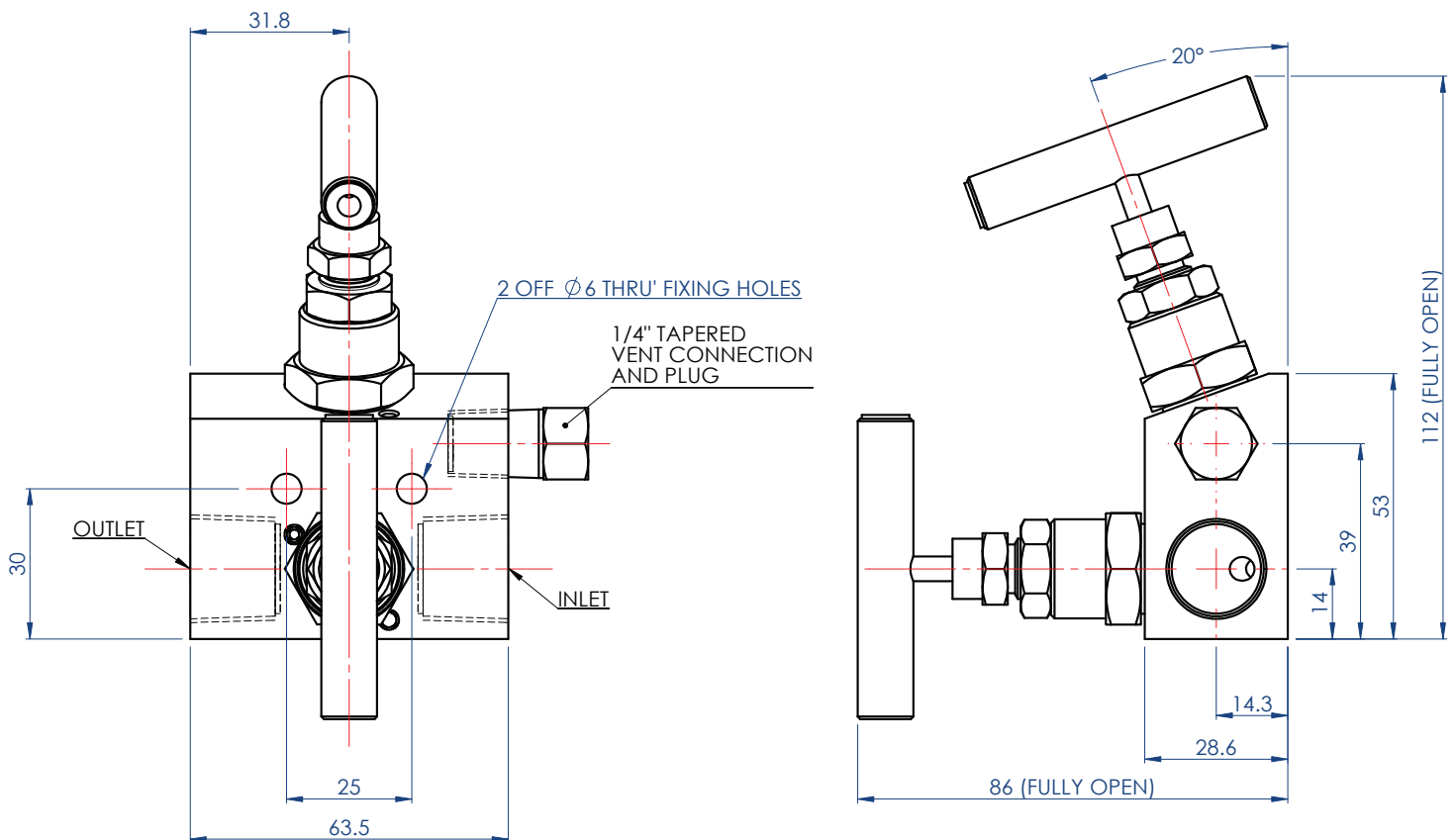
By connecting a calibration gauge to the vent port, it is possible to check the calibration of the instrument without removing it from the installation.

Also available in a range of other materials and options

(See HOW TO ORDER Data Sheet)



WEIGHT = 0.8 kg



STEWART-BUCHANAN GAUGES LTD

Sales Office & Manufacturing Facility - 7 Garrel Road, Burnside Industrial Estate, Kilsyth, Glasgow G65 9JX, SCOTLAND
Tel: +44 (0)1236 821533 | Fax: +44 (0)1236 824090 | E-mail: sales@stewarts-group.com | Web: stewarts-group.com

DATA SHEET REF: K2-REV01-14

